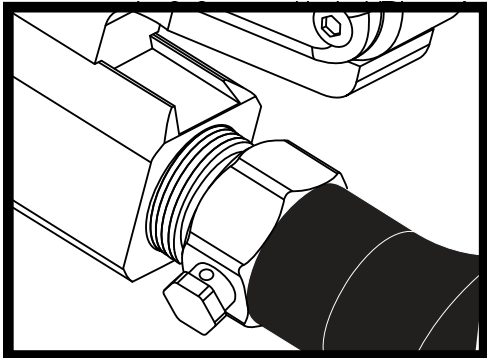
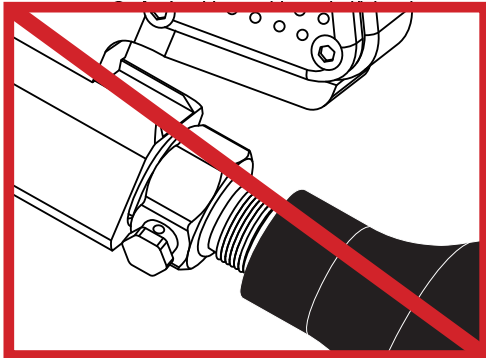


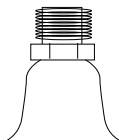
CO2 / COMPRESSED AIR TANK WARNINGS



SAFE



UNSAFE



DANGER

The CO2 or Compressed Air Tank can fly off with enough force to cause serious injury or death if the Valve unscrews from the cylinder head. LOOK at the Valve when removing the cylinder from the marker. Be sure that the valve is turning with the cylinder rather than remaining stationary with the marker. STOP if the Valve starts to unscrew from the cylinder. If in doubt, screw the cylinder back onto the marker and contact a trained person for repair.

- All valves must only be installed or removed by a qualified air smith.
- See CO2 / Compressed Air tank labels for retest dates. Cylinder tanks must be retested periodically.
- Improper use, filling, storage or disposal of all air cylinders may result in death, personal injury and/or property damage.
- Always keep cylinders out of reach from children or any inexperienced person(s).
- Only properly trained personnel in accordance with CGA Pamphlets P.1 and G-6.3 must fill all air cylinders. Pamphlets are available from the Compressed Gas Association or www.CGANET.com.
- Never alter the cylinder in any way.
- DO NOT expose pressurized cylinders to temperatures in excess of 130°F (54°C).
- Cylinders heated to an excess of 250°F (121°C) must be condemned or re-qualified in accordance with test defined in CFR-49.
- The valve should **NEVER** be detached from the canister. Please seek immediate assistance from a trained air smith should this occur.
- Any tank packed with the product is intended for paintball use only.
- Confirm that there is an attached urethane O-ring on the CO2 / Compressed Air tank valve before attaching the tank to the marker. The tank will leak air as soon as it is secured to the marker, if the O-ring is missing from the valve.
- A urethane O-ring is highly recommended before attaching any air supply to the marker.
- **NEVER** over pressurize a CO2 / Compressed Air cylinder.
- Avoid any direct skin exposure to the escaping gas, when installing or removing any air supply.
- Never expose cylinders to corrosive materials or clean with any caustic cleaners.