



CRITICAL SAFETY INFORMATION



NEVER look down the barrel with or without your paintball goggles ON.

NEVER look down the barrel of a loaded or unloaded marker.

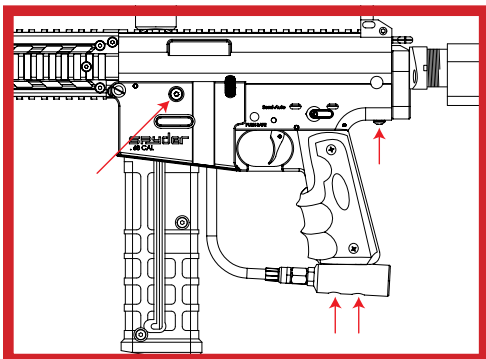
UNSAFE



NEVER shoot or point your marker at a person that is not in a designated paintball facility and without proper EYES/FACE/EARS protection designed specifically for the sport of paintball.

*Paintball marker model shown is for demonstration only and may not represent the marker model you have.

UNSAFE



Before / after use of the paintball marker, check and make sure all screws are securely tightened. Loose screws may prevent the paintball marker from functioning properly.

NOTE: Some screws may not be highlighted in diagram.

IMPORTANT: Please read the Owner's Manual before you play.